
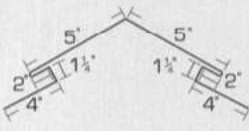


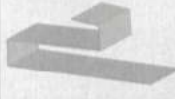
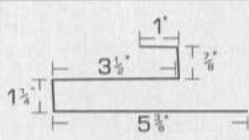

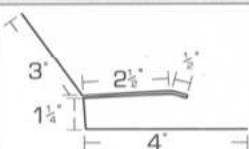

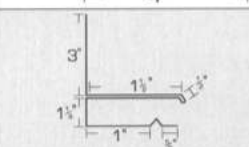





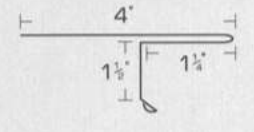



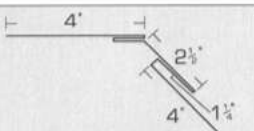


SNAP LOCK TRIM

PRODUCT	GAUGE	UNIT OF MEASURE	LENGTH	WEIGHT	PRICING		PROFILES & DIMENSIONS
					BARE	PAINTED	
		LF EA	LF 10'3"	1.52 15.52			
SNAP HIP & TRIM							
		LF EA	LF 10'3"	.96 9.84			
VENTED RIDGE							
		LF EA	LF 10'3"				
VENTED J-TRIM							
		LF EA	LF 10'3"	.87 8.92			
SNAP EWF							
		LF EA	LF 10'3"	.70 7.18			
SNAP SWF							

POST FRAME TRIM

PRODUCT	GAUGE	UNIT OF MEASURE	LENGTH	WEIGHT	PRICING		PROFILES & DIMENSIONS
					BARE	PAINTED	
		LF EA	LF 10'3"	1.71 17.53			
SNAP V-VALLEY							
		LF EA	LF 10'3"	1.83 18.76			
SNAP W-VALLEY							
		LF EA	LF 10'3"	.51 5.23			
D-EDGE							
		LF EA	LF 10'3"	.28 2.87			
HEM TRIM							
		LF EA	LF 10'3"	.36 3.69			
SNAP HIP TRIM							

*ALL MEASUREMENTS IN INCHES

